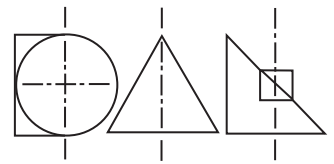


85mm SPOTLIGHT

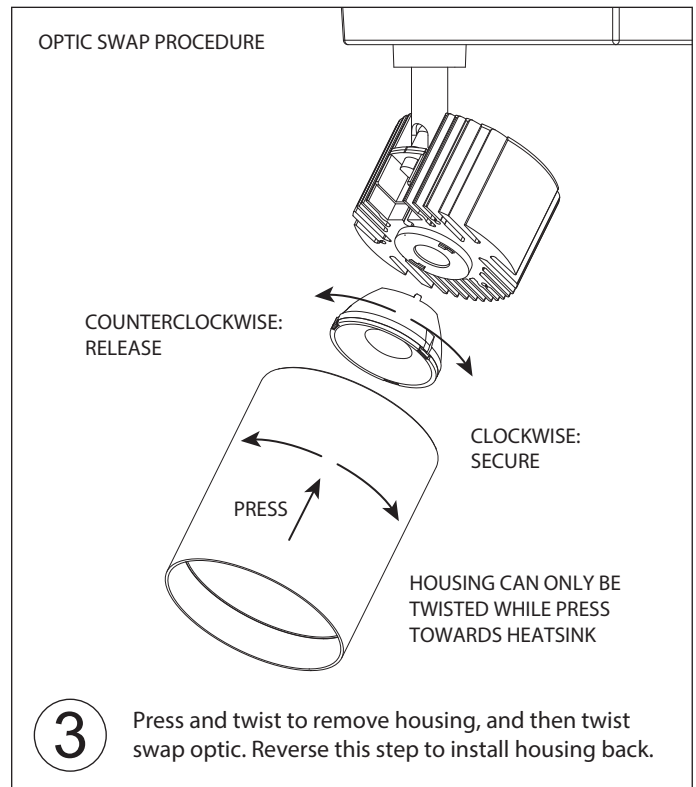
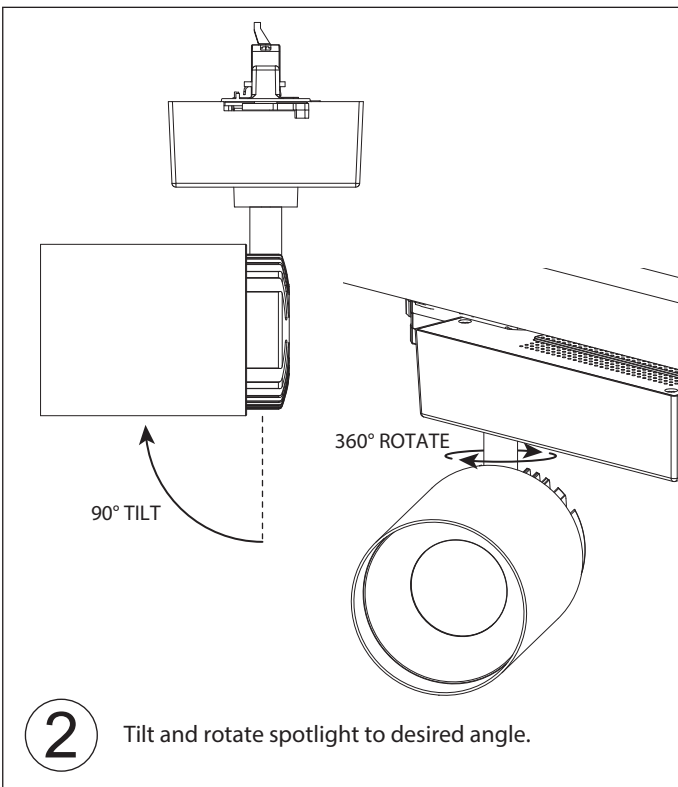
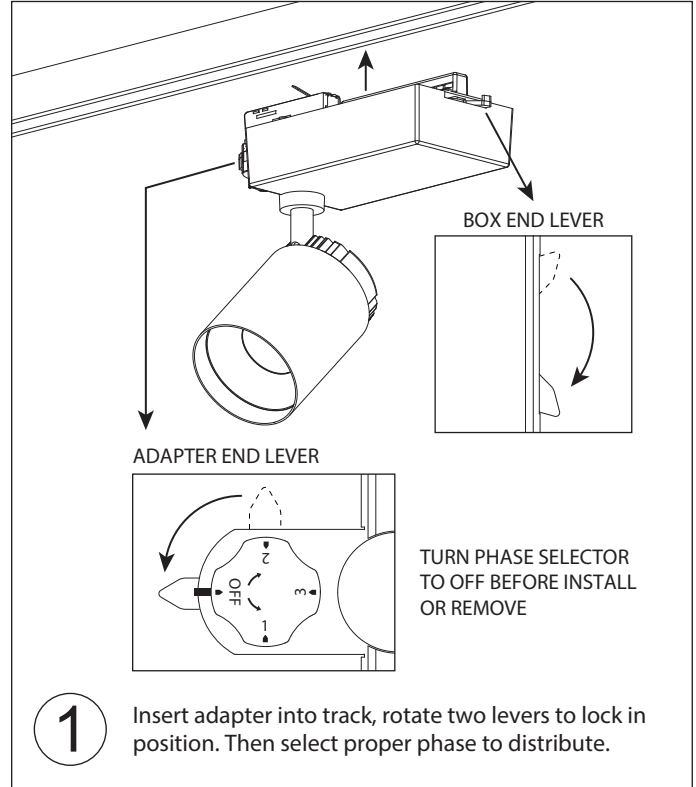
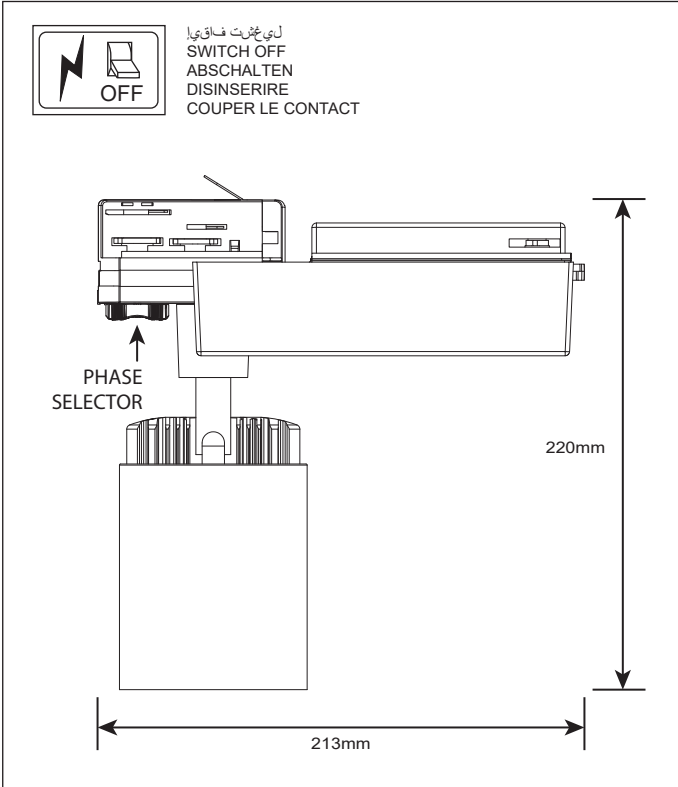
INSTRUCTION GUIDE



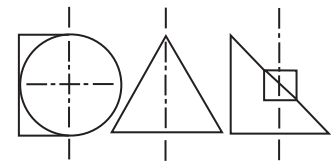
PRODUCT NUMBER: A7379
 ALL LED PRODUCTS REQUIRE THE USE OF A SUITABLE RATED DRIVER (INTEGRAL)

IP20 220-240V~50/60 HZ

WARNING: SWITCH OFF MAINS BEFORE INSTALLING OR SERVICING
RETAIN PROCEDURE FOR FUTURE USE



General Installation and Maintenance Procedure for Designed Architectural Lighting Luminaires



General Information

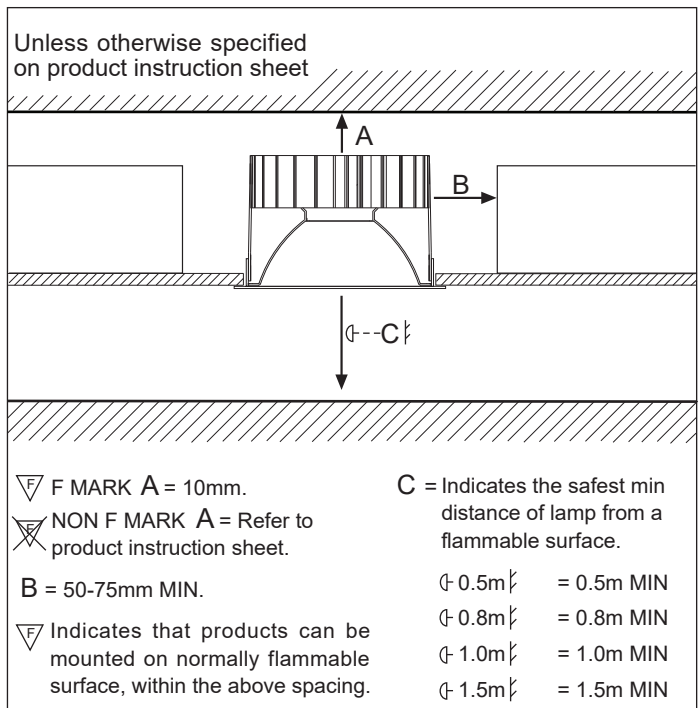
- Follow instruction sheet to ensure safe and reliable operation of product. Retain for future reference.
- The product should NOT be modified. Any modification will negate the safety mark/approvals, and may render the product unsafe.
- DAL accepts no responsibility for modified products. Modifications include devices fitted between the lamp and lamp holder.
- All replacement components should be identical with those replaced. Disposal to be as manufacturer's instructions.
- DAL track luminaire must only be used on DAL track system or equivalent for which they are designed.

Installation and Supply

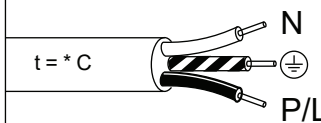
- Unless specified otherwise, all products are IP20. DO NOT operate in damp or corrosive situations.
- Disconnect from mains supply before installation, maintenance or replacing fuse or lamp. Care must be taken when drilling holes near existing installation wiring, to avoid electric shock.
- Metal enclosed, Class II and Class III products must not be mounted in contact with or close to Earthed metal work, e.g. structural system of suspended ceilings.
- S.E.L.V. - To be used with Double Insulated. Extra Low Voltage, Safety Isolating Transformer or Driver only.
- When dimming is required, low voltage fittings should only be operated by a specifically rated dimmer.
- DAL accepts no responsibility for the effects of corrosive element in the installation/atmosphere.
- Any closure or ceiling void which prevents normal heat dissipation may cause reduced performance, overheating and risk of fire.

Maintenance

- Only lamps of correct type and rating should be used, and fully and correctly inserted into the lampholder. Manufacturers instructions should be complied with.
- Certain lamp types (Metal Halide / Tungsten Halogen) reach maximum temperature rapidly. Care must be taken when adjusting or relamping.
- Metal Halide Lamps - Replace failed lamps promptly to avoid ballast damage.
- Replace all cracked or damaged safety glass immediately.
- Regular and careful cleaning is required to ensure optimum performance and safety. Designed Architectural Lighting accepts no responsibility for the effect of solvents used when installing, servicing or re-decorating the surround, or for the accumulation of dust and dirt.



CLASS I



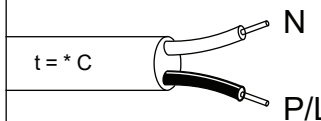
THIS CLASS MUST BE
⊕ EARTHED

LEGEND

P/L - BROWN / L / COLOUR RED
N - BLUE / N / COLOUR BLACK
⊕ - GREEN / YELLOW / EARTH
E / ⊕ / COLOUR GREEN

* TEMPERATURE RATING OF CABLE

CLASS II □ DOUBLE INSULATED



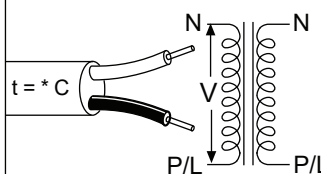
DO NOT USE ⊕ TERMINAL

LEGEND

P/L - BROWN / L / COLOUR RED
N - BLUE / N / COLOUR BLACK
⊕ - GREEN / YELLOW / EARTH
E / ⊕ / COLOUR GREEN

* TEMPERATURE RATING OF CABLE

CLASS III ⚡ LOW VOLTAGE



DO NOT USE ⊕ TERMINAL

LEGEND

P/L - BROWN / L / COLOUR RED
N - BLUE / N / COLOUR BLACK
⊕ - GREEN / YELLOW / EARTH
E / ⊕ / COLOUR GREEN

V - 6V / 12V / 24V / 48V
AS INDICATED

* TEMPERATURE RATING OF CABLE